

Elite XL Sheet Feeder

Contents

[Introduction](#) 2

[Installation guidelines](#) 2

[Sheet feeder kit contents](#) 2

[Installation procedure](#) 3

[Removal procedure](#) 10

[500-sheet feeder accessories](#) 11

[250-sheet feeder accessories](#) 11

Introduction

The sheet feeder is an optional accessory that provides an additional paper feed source for your Elite XL printer. There are two sheet feeders available for the Elite XL: 250-sheet capacity (part # AC15255) or 500-sheet capacity (part # AC15366). The 500-sheet feeder supports Letter or A4 paper. The 250-sheet feeder handles all paper sizes supported by the Elite XL printer.

Note: The illustrations in this guide use 250-sheet feeders to depict the installation procedures; they are also applicable to installation involving a 500-sheet feeder.

Installation guidelines

8 page-per-minute (ppm) Elite XL models can have one 250- or one 500- sheet feeder added to the printer.

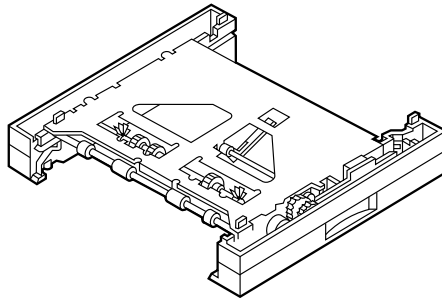
16 page-per-minute (ppm) Elite XL models can have up to two sheet feeders added to the printer, with the following restrictions:

- When adding two sheet feeders, only one of them can be a 500-sheet feeder.
- When attaching both a 250-and a 500-sheet feeder, the 500-sheet feeder must be on the bottom.

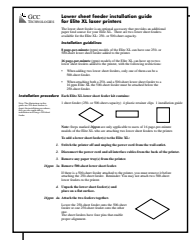
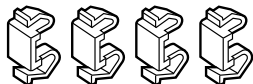
Sheet feeder kit contents

Note: Paper cassettes are sold separately. See page 11 for ordering information.

Each Elite XL sheet feeder kit contains:
1 sheet feeder (250- or 500-sheet capacity)



4 plastic retainer clips



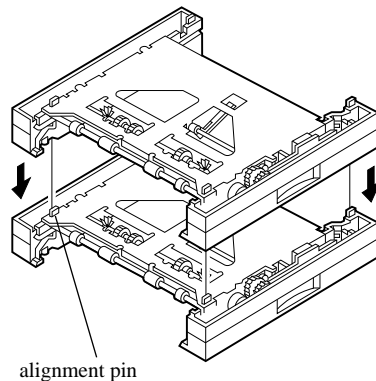
1 installation guide

Installation procedure

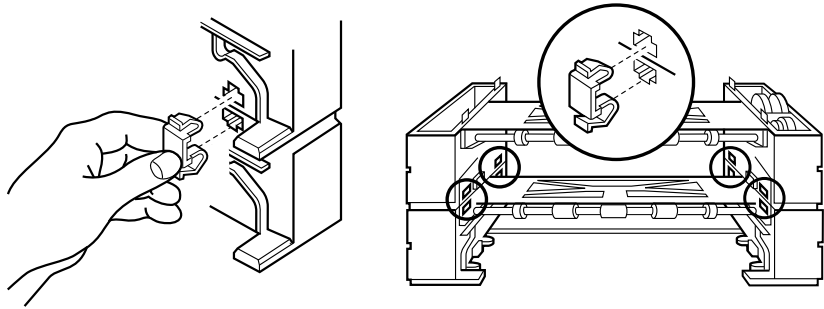
Note: Steps marked **16ppm** are only applicable to 16 page-per-minute Elite XL models.

To add one or two sheet feeder(s) to the Elite XL printer:

1. **Switch off the printer and unplug the power cord from the AC outlet.**
2. **Disconnect the power cord and all interface cables from the back of the printer.**
3. **Remove any paper tray(s) from the printer.**
- 16ppm** 4. **If there is a 500-sheet feeder attached to the printer, you must remove it before attaching the 250-sheet feeder.** (See “**Removal Procedure**” on page 10). **Reminder:** You may not attach two 500-sheet feeders to the printer.
5. **Unpack the sheet feeder(s) and place on a flat surface.**
- 16ppm** 5a. **If there are two sheet feeders, attach the two feeders together.** Lower the 250-sheet feeder onto the 500-sheet feeder or the other 250-sheet feeder. The sheet feeders have four pins that enable proper alignment.

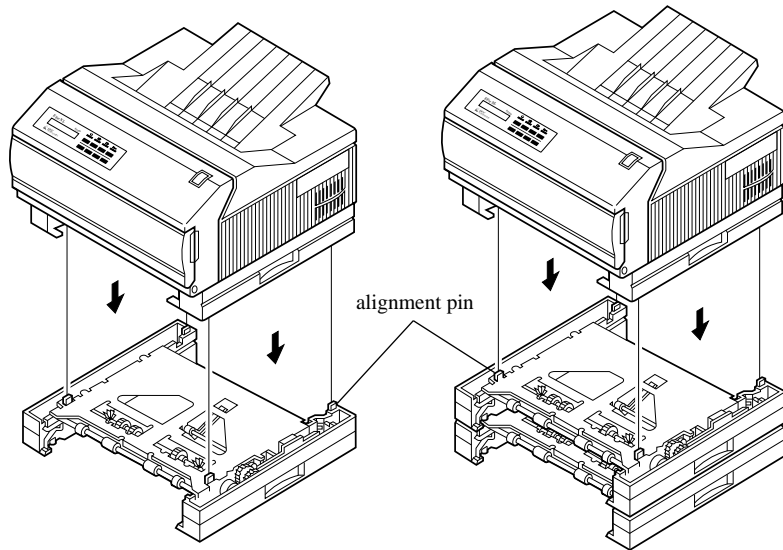


- 16ppm** 5b. **Attach four retaining clips.**
Use four of the plastic retaining clips to lock the feeders together. The clips fit into slots located at the four corners where the sheet feeders mate.



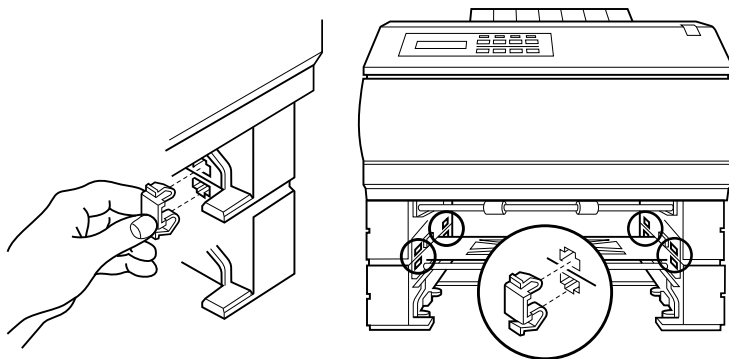
6. Attach the sheet feeder(s) to the printer.

Slowly lower the printer onto the sheet feeder(s). The sheet feeder has four pins that fit into the base of the printer enabling proper alignment.



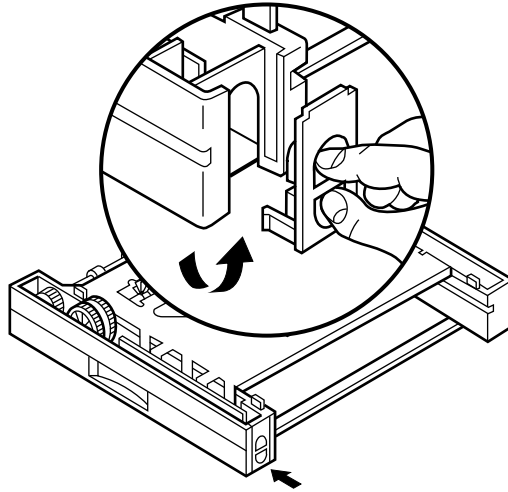
7. Attach four retaining clips.

Use the four plastic retaining clips to lock the Elite XL printer and sheet feeder(s) together. The clips fit into slots located at the four inside corners where the sheet feeders mate.



8. Remove the sheet feeder control cable cover.

The control cable cover is located at the lower left corner of the back of the sheet feeder. To remove the cover, grasp the cover's handle, push it up, then pull it out. With the cover removed, the control cable will be visible.

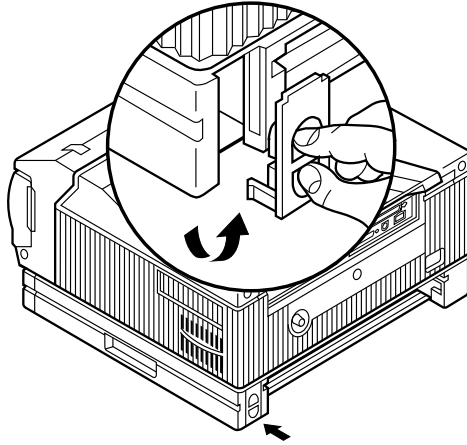


16ppm

Note: If you are attaching two sheet feeders, remove the control cable cover from each one.

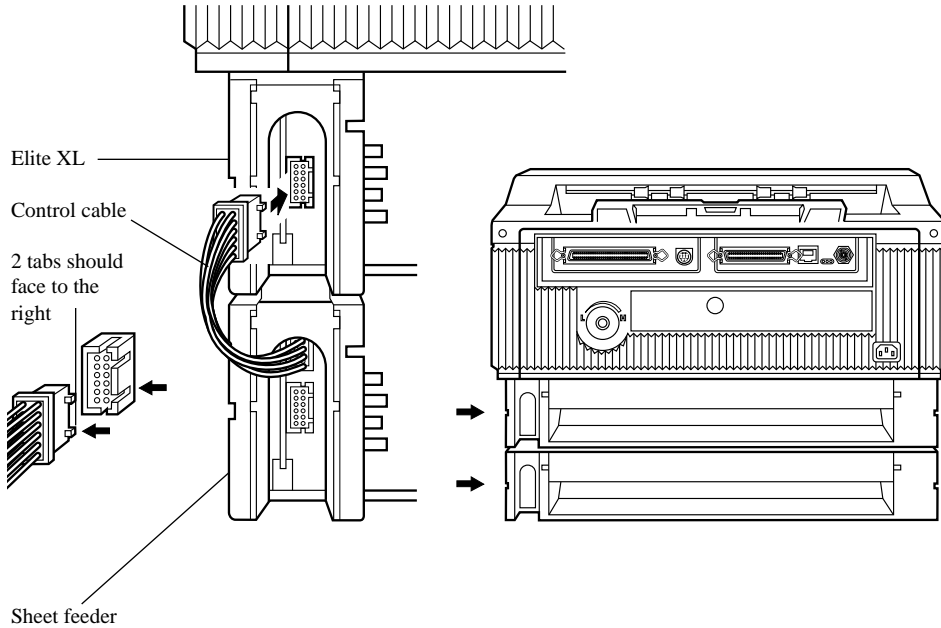
9. Remove the printer's control cable cover.

The control cable cover is located at the lower left corner of the back of the printer. To remove the cover, grasp the cover's handle, push it up, then pull it out.



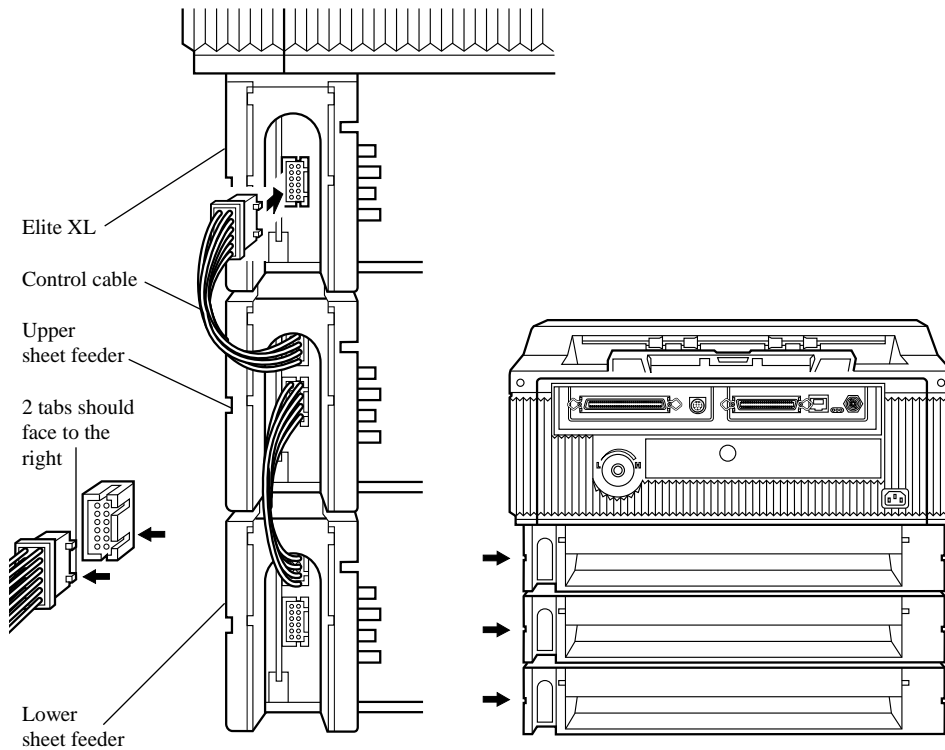
10. Connect the sheet feeder control cable to the printer.

Grasp the sheet feeder control cable and slowly extend it beyond the sheet feeder's housing. If you are attaching two feeders, use the cable from the upper sheet feeder. Orient the cable's connector so that the two "tabs" are facing to the right and plug the cable into the connector in the printer.



16ppm 10a. If there are two sheet feeders, connect the lower sheet feeder control cable to the upper sheet feeder.

Grasp the control cable of the lower sheet feeder and slowly extend it beyond the sheet feeder's housing. Orient the cable's connector so that the two "tabs" are facing to the right and plug the cable into the connector in the upper sheet feeder.



11. Replace all of the control cable covers.

Insert the top edge of the cover first and then pivot the bottom half down and into place.

12. Reconnect the interface cables and the power cord to the printer.

13. **Plug the power cord into the wall outlet.**
14. **Switch on the printer.**
15. **Refer to Appendix D in the *Elite XL User's Manual* for information about printing with additional sheet feeders.**

Removal Procedure

To remove a sheet feeder from the Elite XL printer:

1. **Switch off the printer and unplug the power cord from the AC outlet.**
2. **Disconnect the power cord and all interface cables from the back of the printer.**
3. **Remove any paper trays from the printer and sheet feeder(s).**
4. **Remove four retaining clips.**
Remove the four plastic clips locking the feeder in place. The clips are located at the four inside corners where the sheet feeder mates with the printer.
5. **Remove the sheet feeder control cable cover.**
The control cable cover is located at the lower left corner of the back of the sheet feeder. To remove the cover, grasp the cover's handle, push it up, then pull it out. With the cover removed, the control cable will be visible.
6. **Remove the control cable cover from the printer.**
The control cable cover is located at the lower left corner of the back of the printer or sheet feeder. To remove the cover, grasp the cover's handle, push it up, then pull it out. With the cover removed, the control cable will be visible.
7. **Disconnect the control cable from the printer.**
Grasp the control cable close to the connector and pull gently until the cable is released.
8. **Detach the sheet feeder from the printer.**
Slowly lift the printer from the sheet feeder.
9. **Replace all of the control cable covers.**

- 10. Reconnect the interface cables and power cord to the printer.**
- 11. Plug the power cord into the wall outlet.**
- 12. Switch on the printer.**

For information on ordering consumable items and accessories for the Elite XL, please call GCC Sales at (800) 422-7777 (U.S. and Canada only). Outside the U.S. and Canada, call your local GCC dealer.

500-Sheet Feeder Accessories

Part number

500-sheet Letter Cassette	AC15362
500-sheet A4 Cassette	AC15364

250-Sheet Feeder Accessories

Part number

250-sheet Universal Cassette	AC15249
30-sheet Envelope Cassette	AC15253

WARRANTY

GCC Technologies Inc. ("GCC") warrants, for the limited period of one year from the date of original purchase, the Elite XL Sheet Feeder sold by GCC is recorded (the "product") to be free from defects in materials and workmanship. During the warranty period, GCC or its authorized representative will, at its option, repair, replace or refund the purchase price of any defective product at no additional cost, provided you return it during the warranty period, transportation charges prepaid, to GCC or an authorized GCC dealer or representative. You must attach your name, address and telephone number, a description of the problem, and a dated proof-of-purchase bearing the serial number for each product returned for warranty service.

This Warranty is limited to the original purchaser of the product and is not transferable unless otherwise agreed by GCC in writing. This warranty does not apply to any product which has been damaged by accident, abuse, or misuse, which has been modified without the prior written permission of GCC.

GCC MAKES NO WARRANTY OR REPRESENTATION, EITHER EXPRESS OR IMPLIED, WITH RESPECT TO THE SOFTWARE SUPPLIED WITH THE PRODUCT, ITS QUALITY, PERFORMANCE, MERCHANTABILITY, OR FITNESS FOR A PARTICULAR PURPOSE. AS A RESULT, THE SOFTWARE IS LICENSED "AS IS," AND YOU THE LICENSEE ASSUME THE ENTIRE RISK AS TO ITS QUALITY AND PERFORMANCE.

EXCEPT AS EXPRESSLY SET FORTH ABOVE, GCC MAKES NO OTHER WARRANTIES WITH RESPECT TO THE PRODUCT, EXPRESS OR IMPLIED, INCLUDING BUT NOT LIMITED TO, ANY IMPLIED WARRANTIES OF MERCHANTABILITY OR FITNESS FOR A PARTICULAR PURPOSE.

UNDER NO CIRCUMSTANCES SHALL GCC'S LIABILITY ARISING OUT OF OR IN CONNECTION WITH THE PRODUCT OR THE USE OF, OR THE INABILITY TO USE, THE PRODUCT, IN CONTRACT, IN TORT (INCLUDING NEGLIGENCE), OR OTHERWISE EXCEED THE PURCHASE PRICE OF THE PRODUCT, AND IN NO EVENTS SHALL GCC BE LIABLE FOR SPECIAL, INCIDENTAL OR CONSEQUENTIAL DAMAGES INCLUDING, BUT NOT LIMITED TO, DAMAGES FOR DOWNTIME OR LOST PROFITS, BUSINESS, USE OF SOFTWARE OR EQUIPMENT, OR GOODWILL, WHETHER OR NOT GCC HAS BEEN ADVISED OF THE POSSIBILITY OF SUCH DAMAGES.

Some states do not allow the exclusion or limitation of implied warranties or liability for incidental or consequential damages, or do not allow limitations on how long an implied warranty lasts, so the above limitations or exclusions may not apply to you. ANY IMPLIED WARRANTIES, INCLUDING ANY IMPLIED WARRANTIES OF MERCHANTABILITY OR FITNESS FOR A PARTICULAR PURPOSE, ARE LIMITED IN DURATION TO ONE YEAR FROM THE DATE OF ORIGINAL PURCHASE OF THIS PRODUCT. This warranty gives you specific legal rights, and you may also have other rights which vary from state to state.

No GCC dealer, representative, agent or employee is authorized to make any modification, extension or addition to this warranty on behalf of GCC. THE WARRANTIES AND REMEDIES SET FORTH ABOVE ARE EXCLUSIVE AND IN LIEU OF ALL OTHERS, EXPRESS OR IMPLIED.

For the nearest GCC service facility or representative, call GCC at (800) 422-7777, or write to Customer Service, GCC Technologies Inc., 209 Burlington Road, Bedford, MA 01730-9143.

TRADEMARKS

GCC Technologies and the GCC Technologies logo are registered trademarks of GCC Technologies Inc. Elite is a trademark of GCC Technologies Inc.

CREDITS

© Copyright GCC Technologies Inc., 1996. All rights reserved.

The *Sheet Feeder Installation Guide for Elite XL Laser Printers* written by Tom Veldran. Edited by Dave Hill, Eli Fuchs, Michael McCabe, Bill Krech. Illustrations by Bill Krech.